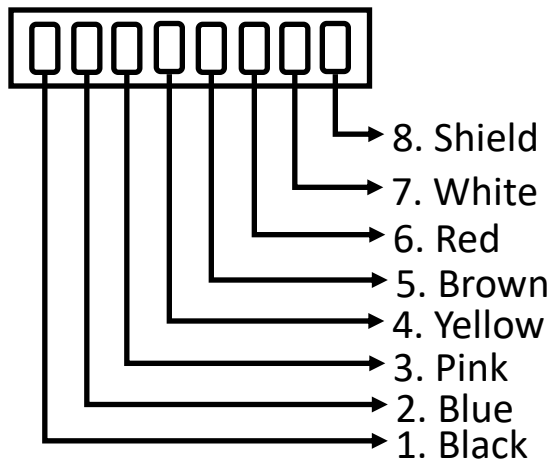


## HTX-252 using OPEK MC8-6 Cord

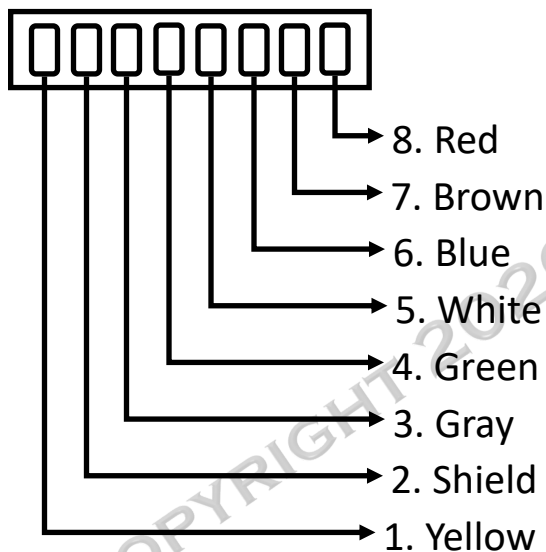
### PCB Layout on Microphone



### 8 Pin Connector Pinout

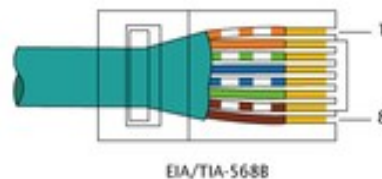
1. White
2. Red
3. Black
4. Blue
5. Brown
6. Yellow
7. Pink
8. Shield

## HTX-242 (19-1126)

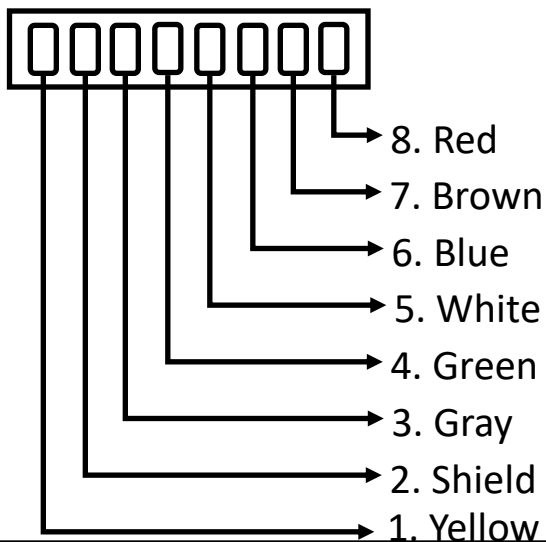


### RJ45 Connector

1. Yellow
2. Shield
3. Gray
4. Green
5. White
6. Blue
7. Brown
8. Red



## HTX-212 (19-1125)



1. Yellow
2. Shield
3. Gray
4. Green
5. White
6. Blue
7. Brown
8. Red

